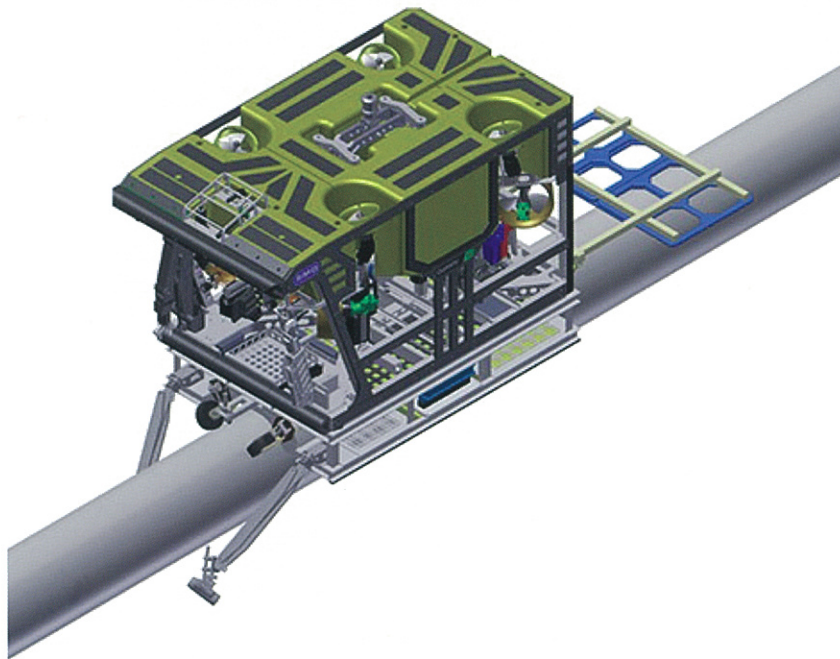


Pipeline Inspection Skid

The SK04 Pipeline Inspection Skid (PIS) is designed as an underslung tooling skid attached to a Quantum ROV for performing pipeline inspection tasks. PIS is equipped with pipe tracker deployment frame, CP probe deployment frame, camera boom arm and rollers to allow ROV to travel on top of subsea pipeline. The rollers are adjustable to suit pipeline of 6" to 32" diameter. The standard unit comes with dedicated hydraulics valve pack and space & brackets for mounting TSS pods. The hydraulics valve pack is equipped with enough functions to control the boom arms, CP probe deployment frame and pipe track frame, making the PIS a completely standalone unit that needs only minimum connections to the ROV. The valve pack also comes with tachometer inputs for Reed switches mounted on one of the roller.



SPECIFICATIONS

Overall Height	492mm
Overall Width	2,000mm
Overall Length	3,509mm
Weight in Air (Including Hydraulics Valve Pack)	550kg
Weight in Water	Neutral
Depth Rating	3,000m
Pipeline Size Range	6" - 32"

*Image of Quantum ROV is courtesy of Soil Machine Dynamics Ltd